



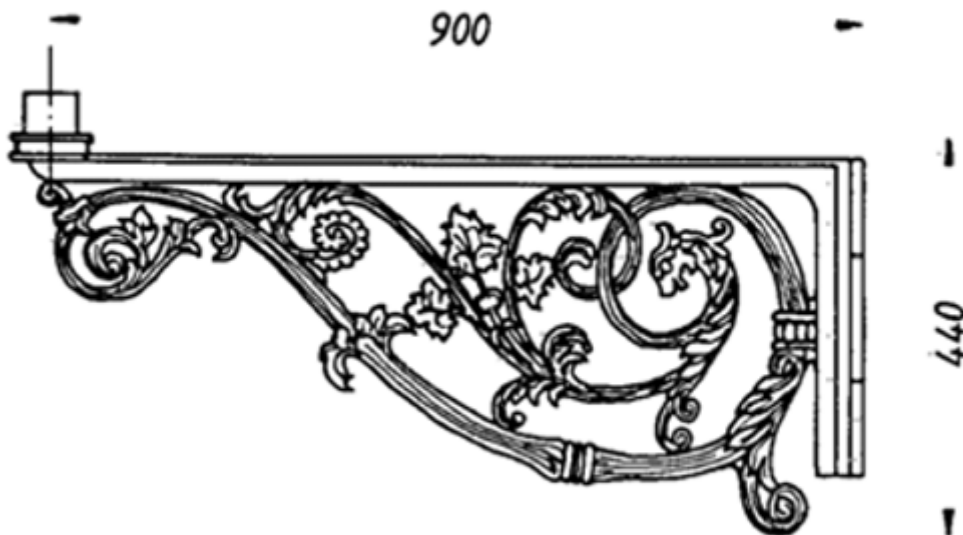
Friedhelm TRAPP GmbH

Ostring 15 - 63533 Mainhausen - Zentrale: 06182/9294-5 - Fax: 06182/9294-69 - Mail: trapp@f-trapp.de

www.f-trapp.de

Historic wall bracket

Model 401 Baden-Baden



Technical description

with plait \varnothing 60 mm

TWF-401

Plane wall bracket, weight approx. 26 kg

TWE-401

Corner wall bracket, weight approx. 31 kg

TMA-401

Jib, weight approx. 26 kg



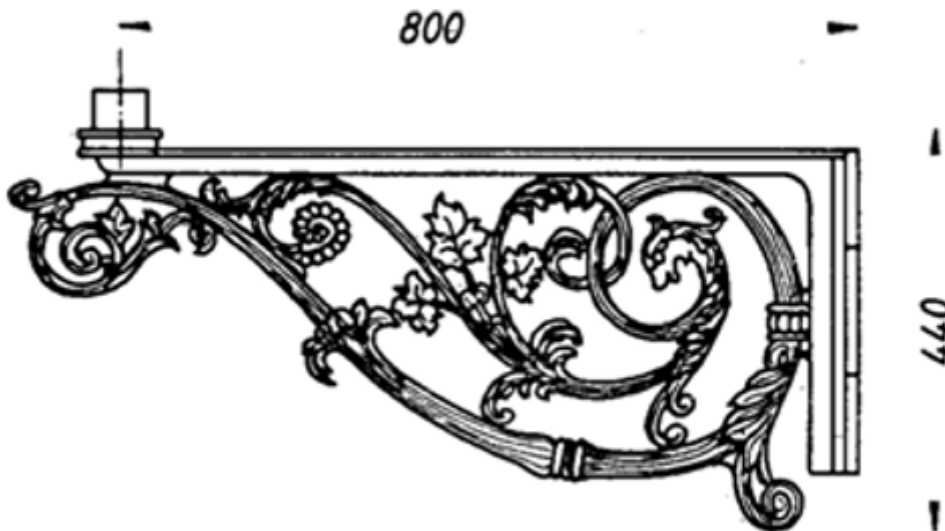
Friedhelm TRAPP GmbH

Ostring 15 - 63533 Mainhausen - Zentrale: 06182/9294-5 - Fax: 06182/9294-69 - Mail: trapp@f-trapp.de

www.f-trapp.de

Historic wall bracket

Model 402 Baden-Baden



Technical description

with plait \varnothing 60 mm

TWF-402

Plane wall bracket, weight approx. 23 kg

TWE-402

Corner wall bracket, weight approx. 28 kg

TMA-402

Jib, weight approx. 20 kg



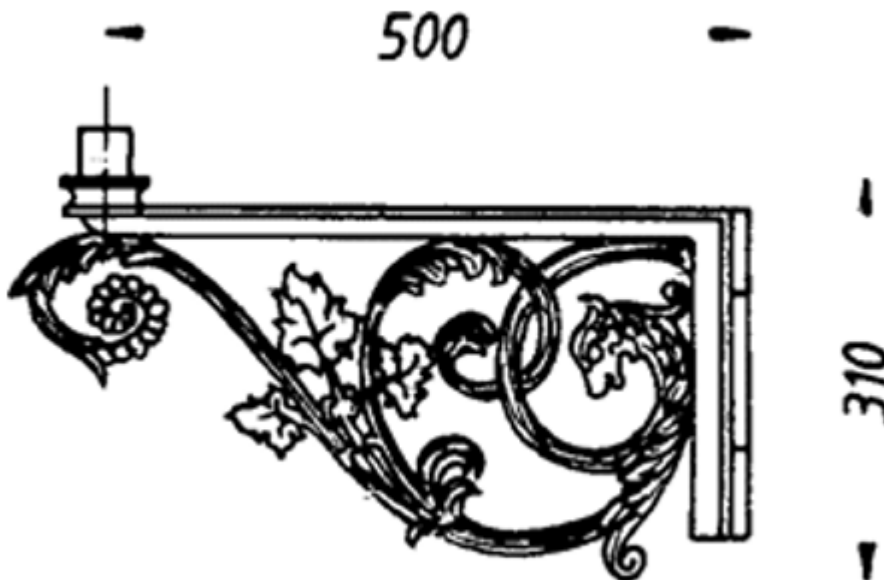
Friedhelm TRAPP GmbH

Ostring 15 - 63533 Mainhausen - Zentrale: 06182/9294-5 - Fax: 06182/9294-69 - Mail: trapp@f-trapp.de

www.f-trapp.de

Historic wall bracket

Model 1402 Baden-Baden



Technical description

with plait \varnothing 60 mm

TWF-1402

Plane wall bracket, weight approx. 13 kg

TWE-1402

Corner wall bracket, weight approx. 14 kg

TMA-1402

Jib, weight approx. 11 kg



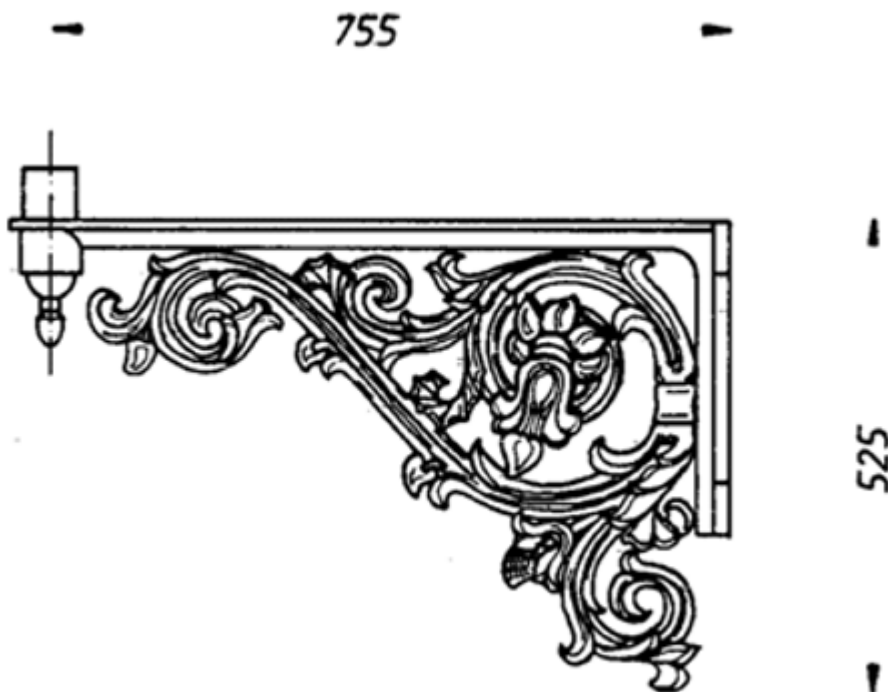
Friedhelm TRAPP GmbH

Ostring 15 - 63533 Mainhausen - Zentrale: 06182/9294-5 - Fax: 06182/9294-69 - Mail: trapp@f-trapp.de

www.f-trapp.de

Historic wall bracket

Model 405 Düsseldorf



Technical description

with plait \varnothing 60 mm

TWF-405

Plane wall bracket, weight approx. 27 kg

TWE-405

Corner wall bracket, weight approx. 32 kg

TMA-405

Jib, weight approx. 24 kg



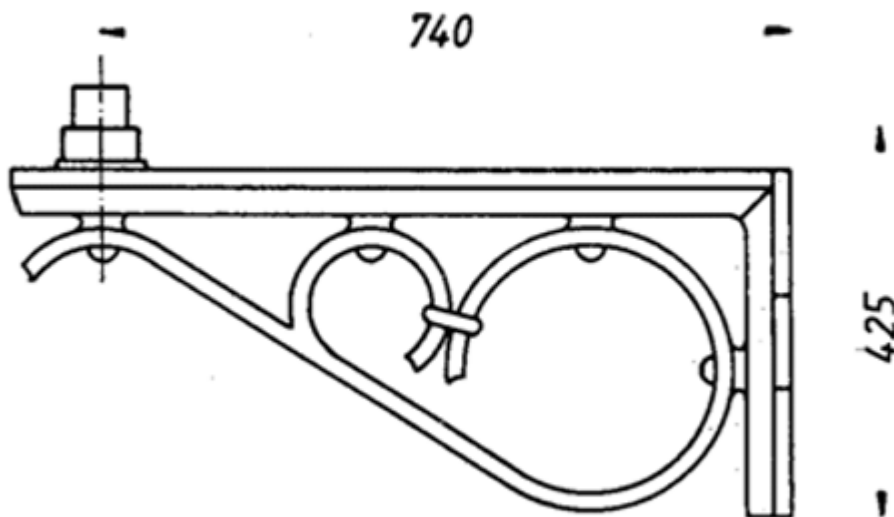
Friedhelm TRAPP GmbH

Ostring 15 - 63533 Mainhausen - Zentrale: 06182/9294-5 - Fax: 06182/9294-69 - Mail: trapp@f-trapp.de

www.f-trapp.de

Historic wall bracket

Model 404 Backnang



Technical description

with plait \varnothing 60 mm

TWF-404

Plane wall bracket, weight approx. 37 kg

TWE-404

Corner wall bracket, weight approx. 43 kg

TMA-404

Jib, weight approx. 30 kg



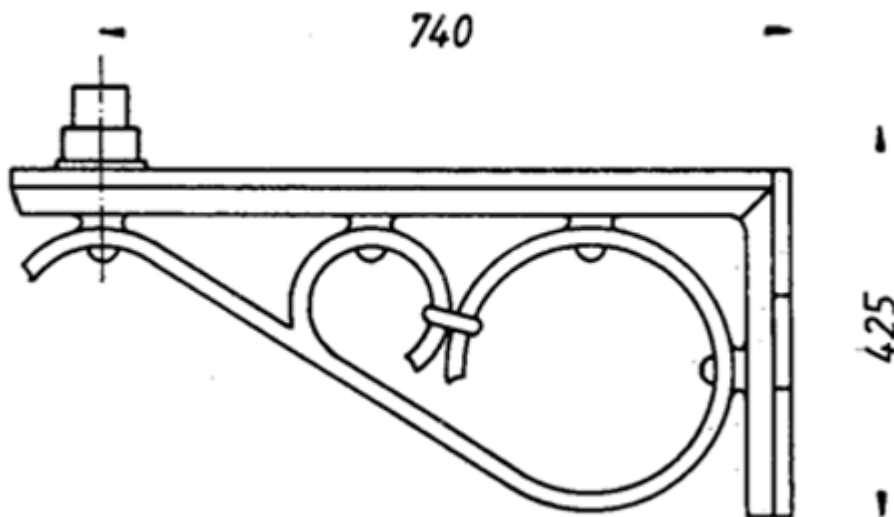
Friedhelm TRAPP GmbH

Ostring 15 - 63533 Mainhausen - Zentrale: 06182/9294-5 - Fax: 06182/9294-69 - Mail: trapp@f-trapp.de

www.f-trapp.de

Historic wall bracket

Model 1404 Backnang



Technical description

with plait \varnothing 60 mm

TWF-1404

Plane wall bracket, weight approx. 19 kg

TWE-1404

Corner wall bracket, weight approx. 20 kg

TMA-1404

Jib, weight approx. 15 kg



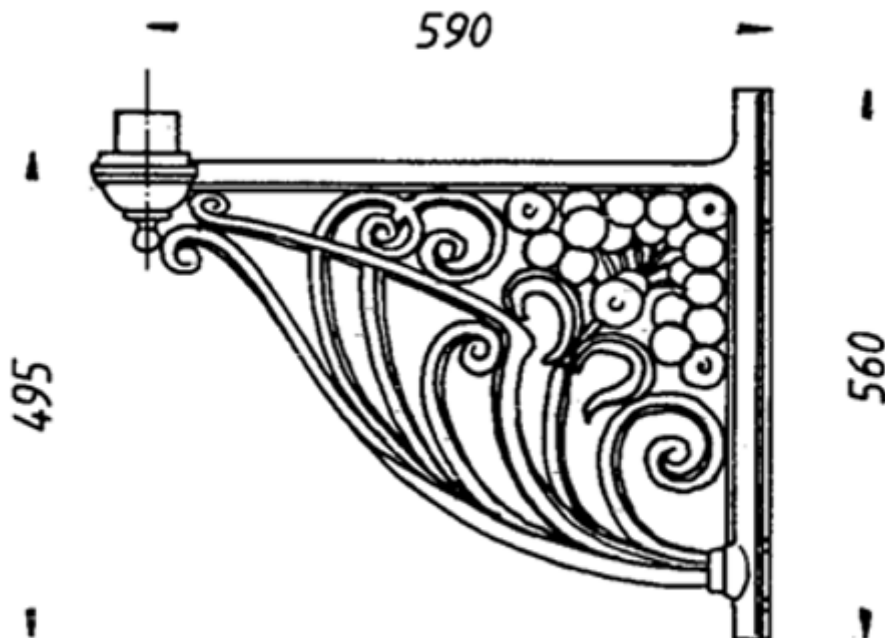
Friedhelm TRAPP GmbH

Ostring 15 - 63533 Mainhausen - Zentrale: 06182/9294-5 - Fax: 06182/9294-69 - Mail: trapp@f-trapp.de

www.f-trapp.de

Historic wall bracket

Model 403 Frankfurt



Technical description

with plait \varnothing 60 mm

TWF-403

Plane wall bracket, weight approx. 26 kg

TWE-403

Corner wall bracket, weight approx. 38 kg

TMA-403

Jib, weight approx. 20 kg



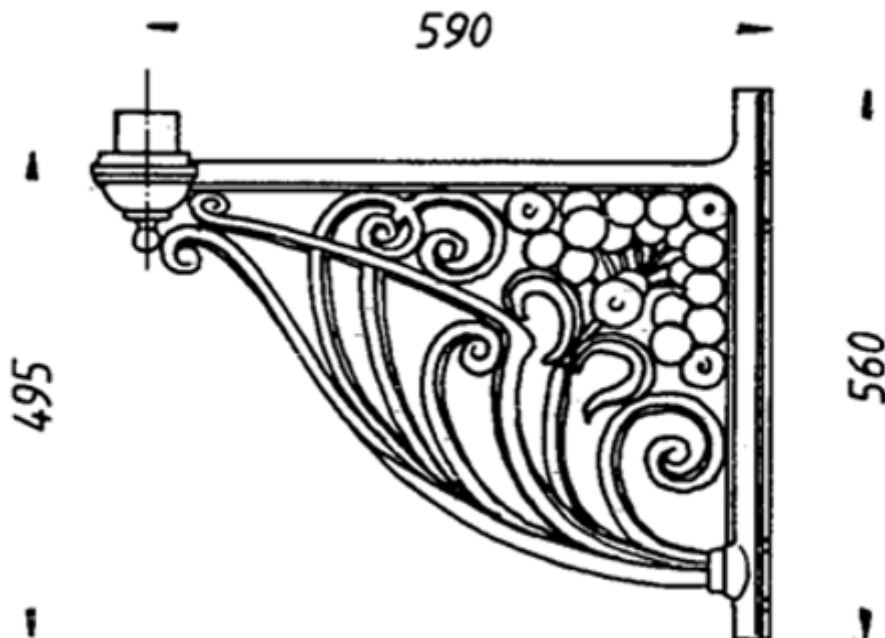
Friedhelm TRAPP GmbH

Ostring 15 - 63533 Mainhausen - Zentrale: 06182/9294-5 - Fax: 06182/9294-69 - Mail: trapp@f-trapp.de

www.f-trapp.de

Historic wall bracket

Model 485 Dresden



Technical description

with flange

TWF-485

Plane wall bracket, weight approx. 20 kg

TWE-485

Corner wall bracket, weight approx. 25 kg

TMA-485

Jib, weight approx. 20 kg



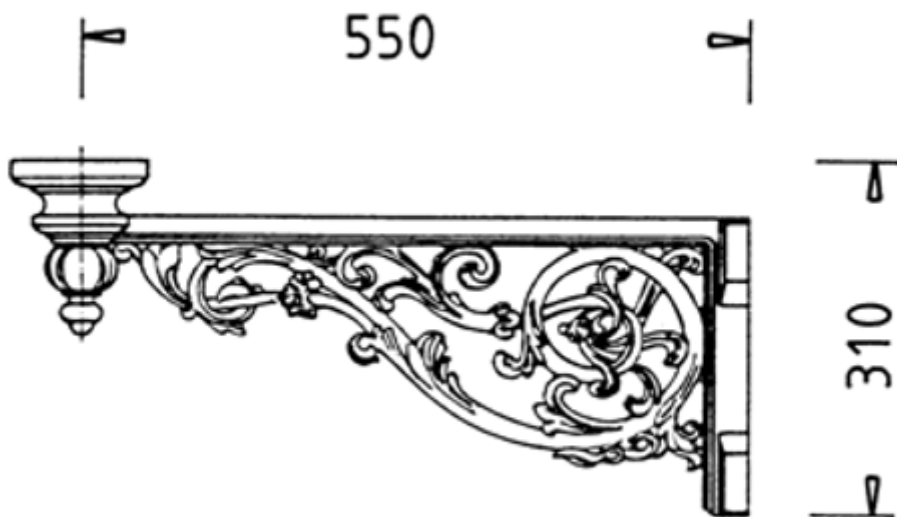
Friedhelm TRAPP GmbH

Ostring 15 - 63533 Mainhausen - Zentrale: 06182/9294-5 - Fax: 06182/9294-69 - Mail: trapp@f-trapp.de

www.f-trapp.de

Historic wall bracket

Model 1485 Dresden



Technical description

with flange

TWF-1485

Plane wall bracket, weight approx. 18 kg

TWE-1485

Corner wall bracket, weight approx. 22 kg

TMA-1485

Jib, weight approx. 16 kg



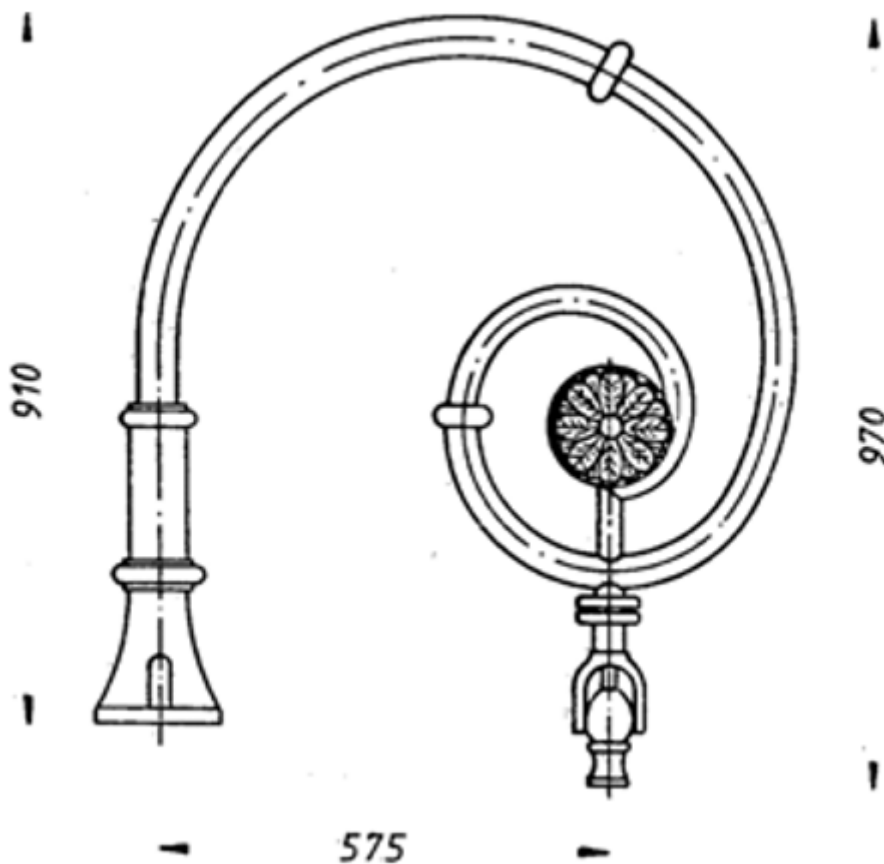
Friedhelm TRAPP GmbH

Ostring 15 - 63533 Mainhausen - Zentrale: 06182/9294-5 - Fax: 06182/9294-69 - Mail: trapp@f-trapp.de

www.f-trapp.de

Historic wall bracket

Model 415 Crosier



Technical description

as jib for suspended luminaires
weight approx. 20 kg



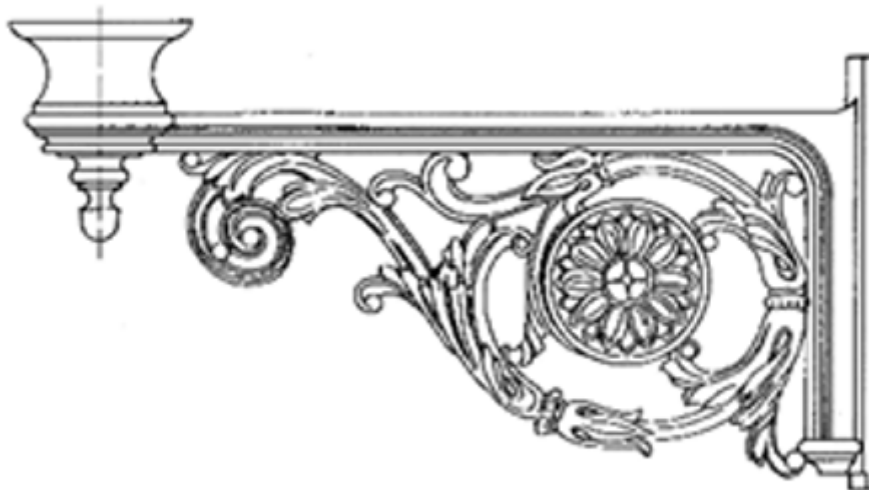
Friedhelm TRAPP GmbH

Ostring 15 - 63533 Mainhausen - Zentrale: 06182/9294-5 - Fax: 06182/9294-69 - Mail: trapp@f-trapp.de

www.f-trapp.de

Historic wall bracket

Model 1490



Technical description

with flange, cast aluminum

TWF-1490

Plane wall bracket, weight approx. 8 kg

TWE-1490

Corner wall bracket, weight approx. 9 kg

TMA-1490

Jib, weight approx. 6 kg



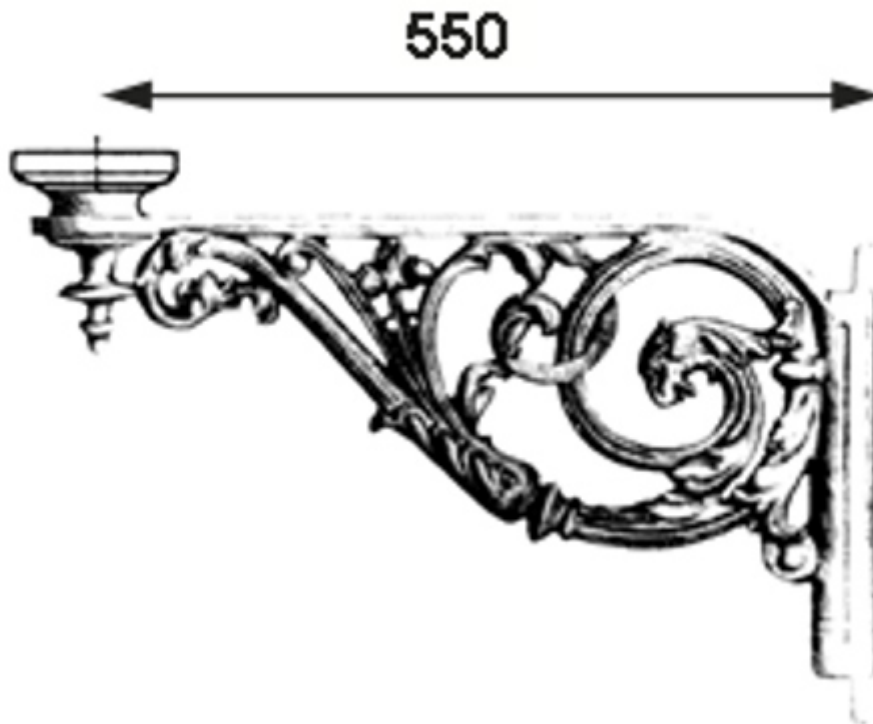
Friedhelm TRAPP GmbH

Ostring 15 - 63533 Mainhausen - Zentrale: 06182/9294-5 - Fax: 06182/9294-69 - Mail: trapp@f-trapp.de

www.f-trapp.de

Historic wall bracket

Model 1495



Technical description

with flange, cast aluminum

TWF-1495

Plane wall bracket, weight approx. 6 kg

TWE-1495

Corner wall bracket, weight approx. 7 kg

TMA-1495

Jib, weight approx. 6 kg



Historic wall bracket

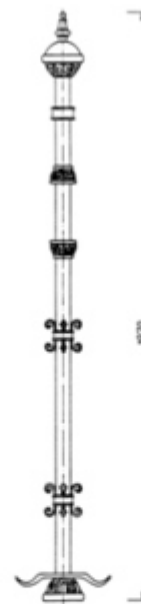
Model Flensburg



Nr. 407 - E = Eckwand
F = Flachwand



Nr. 407 - A = Ausleger



Nr. 535 Aufsatzstück



Nr. 408 - A = Ausleger

Technical description

with attachment, jib and wall arm

Material:

Forged iron (galvanized) and gray cast iron

Varnishing:

3 times incl. rustproofing, top coat as desired

Fastening elements:

Stainless steel bolts or threaded pins