



# Friedhelm TRAPP GmbH

Ostring 15 - 63533 Mainhausen - Zentrale: 06182/9294-5 - Fax: 06182/9294-69 - Mail: trapp@f-trapp.de

[www.f-trapp.de](http://www.f-trapp.de)

## Historical luminaires hexagonal

### THL-220/225/1230 „Baden-Baden“



Provided with corner spandrels version of our classic "Baden-Baden".

Through three different sizes, this luminaire open up numerous application possibilities in both the public as well as in the private sector. The application can be carried out in conjunction with our historical iron candelabra, but also on wall brackets and in multiple arm combinations.

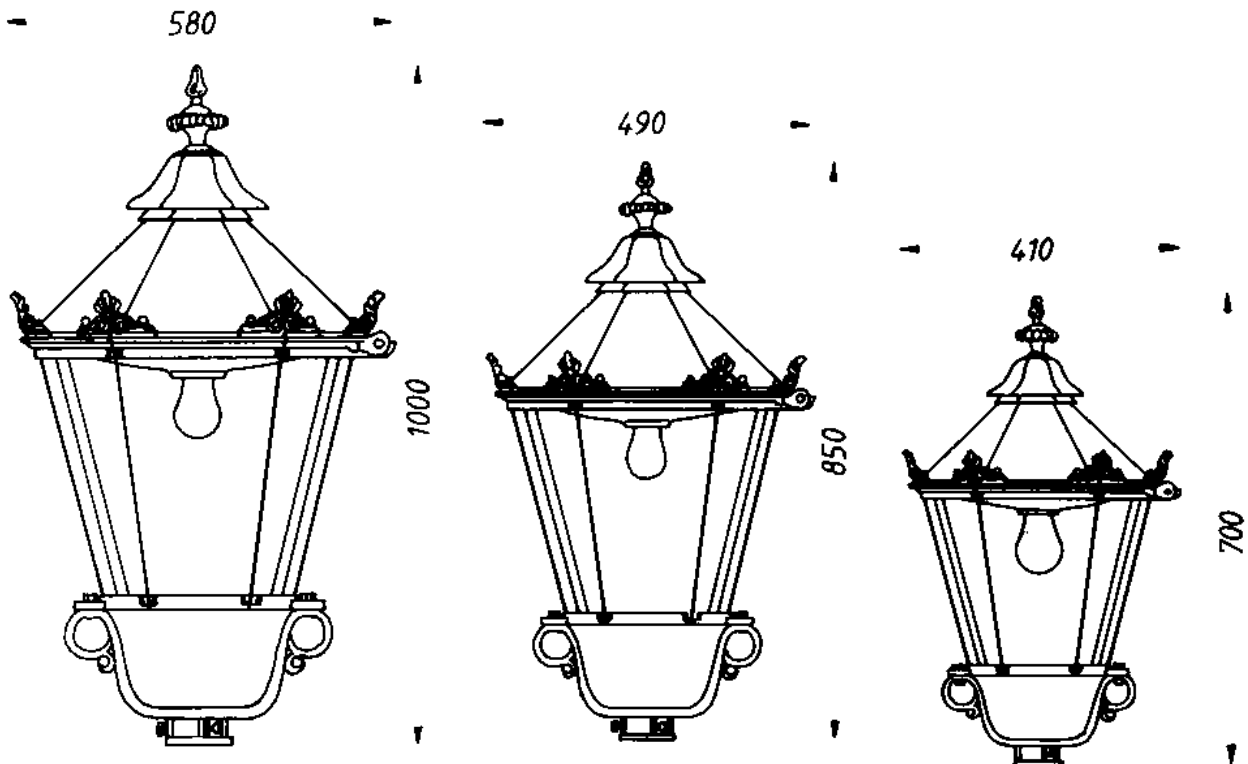


On an ornamented steel pole



## Historical luminaires hexagonal

### THL-220/225/1230 „Baden-Baden“



#### Technical specifications

Luminaire housing:	Graycast, braceless, with 2 spacer tubes
Fitting roof:	Coppersheet or aluminumsheet, painted
Reflector:	Aluminium, white powder coated
Fastening elements:	V2A
Glass:	Crystal glass, 4 mm thick (opal glass with extra charge)
Varnishing:	RAL color of your choice
Installation:	LED, 1xE26 ES, 2xE26 ES, TCD, HSE, HIE, all electric parts with VDE mark, illumination elements top mounted
Protection category:	IP 54
Protection class:	SK I, SK II available on request
Bow luminaires:	flange bow 64 mm $\varnothing$ , other dimension possible through adapter