



Friedhelm TRAPP GmbH

Ostring 15 - 63533 Mainhausen - Zentrale: 06182/9294-5 - Fax: 06182/9294-69 - Mail: trapp@f-trapp.de

www.f-trapp.de

Historical luminaires quadrangular

THL-118 „Stollberg“



Quadrangular Historic luminaire in simple elegance.

With this luminaire special buildings and facilities will be put into the right light.



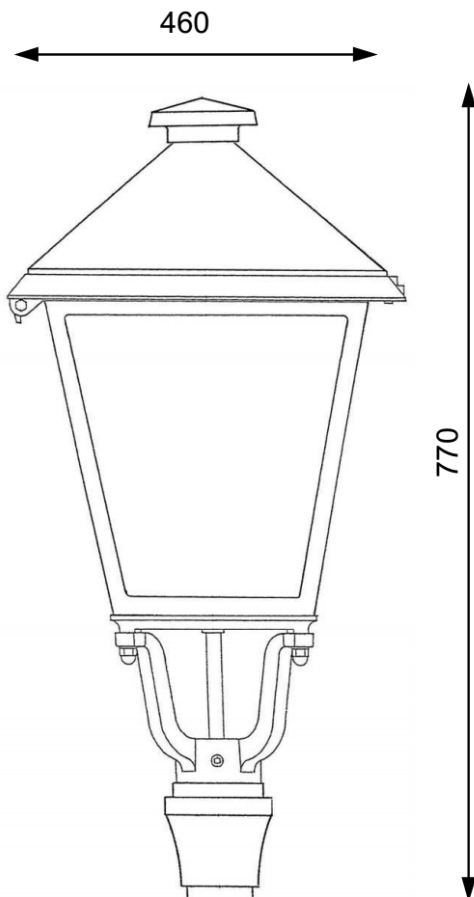


Friedhelm TRAPP GmbH

Ostring 15 - 63533 Mainhausen - Zentrale: 06182/9294-5 - Fax: 06182/9294-69 - Mail: trapp@f-trapp.de

www.f-trapp.de

Historical luminaires quadrangular



THL-118 „Stollberg“

Technical specifications

Luminaire housing:	Aluminum casting and aluminum sheet
Fitting roof:	Aluminum sheet, painted
Reflector:	Aluminium, white powder coated
Fastening elements:	V2A
Glass:	Insert made of PMMA clear
Varnishing:	RAL color of your choice
Installation:	LED, 1xE26 ES, 2xE26 ES, TCD, HSE, HIE, all electric parts with VDE mark
Protection category:	IP 23
Protection class:	SK I, SK II auf Anfrage
Bow luminaires:	Flange bracket