



# Friedhelm TRAPP GmbH

Ostring 15 - 63533 Mainhausen - Zentrale: 06182/9294-5 - Fax: 06182/9294-69 - Mail: trapp@f-trapp.de

[www.f-trapp.de](http://www.f-trapp.de)

## Decorative bollard luminaire TPL-3100



Shapely light bollard for illuminating paths, green spaces and public buildings.

With this type of lighting interesting accents in lighting design can be set.

Through its simple, attractive design, an individual level design and the plurality of selectable colors hardly to be desired.

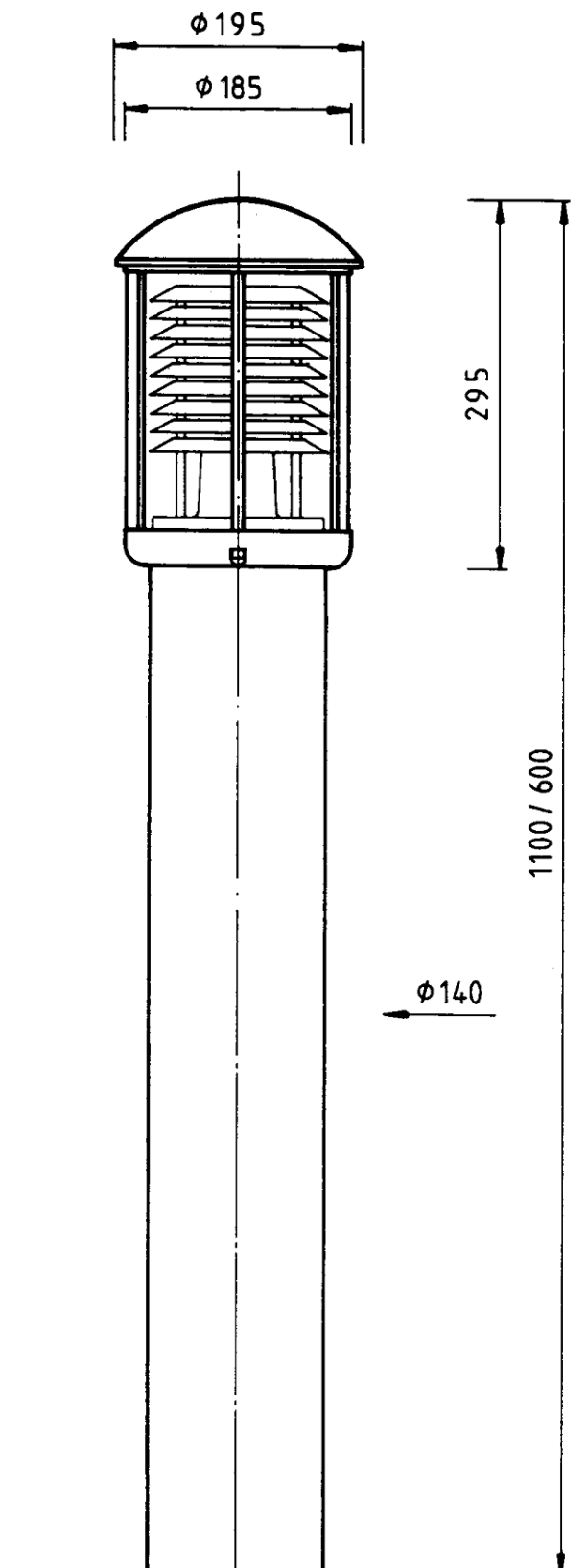


# Friedhelm TRAPP GmbH

Ostring 15 - 63533 Mainhausen - Zentrale: 06182/9294-5 - Fax: 06182/9294-69 - Mail: trapp@f-trapp.de

[www.f-trapp.de](http://www.f-trapp.de)

## Decorative bollard luminaire TPL-3100



### Luminaire housing:

- Cast aluminum, galvanized steel pipe  
Cable entry opening 50 x 150 mm with edge protection.
- On request, additional charge (TPL 3200 T) inspection door 320 x 100 mm with triangular closure.
- Construction height 0.6 and 1.1 m available.
- Luminaire glass made of PMMA.
- All connection elements made of V2A.
- All parts 2 coats of varnish.  
End coating: RAL color of your choice

### Electrical installation:

- LED
- 1 x HSE 50W
- 1 x HME 50W/80W
- 1 x TC-D 10-26W
- 1 x E 26
- Protection class I
- Protection category IP 44

### Option:

- Internally glare by white cone blades.