



Friedhelm TRAPP GmbH

Ostring 15 - 63533 Mainhausen - Zentrale: 06182/9294-5 - Fax: 06182/9294-69 - Mail: trapp@f-trapp.de

www.f-trapp.de

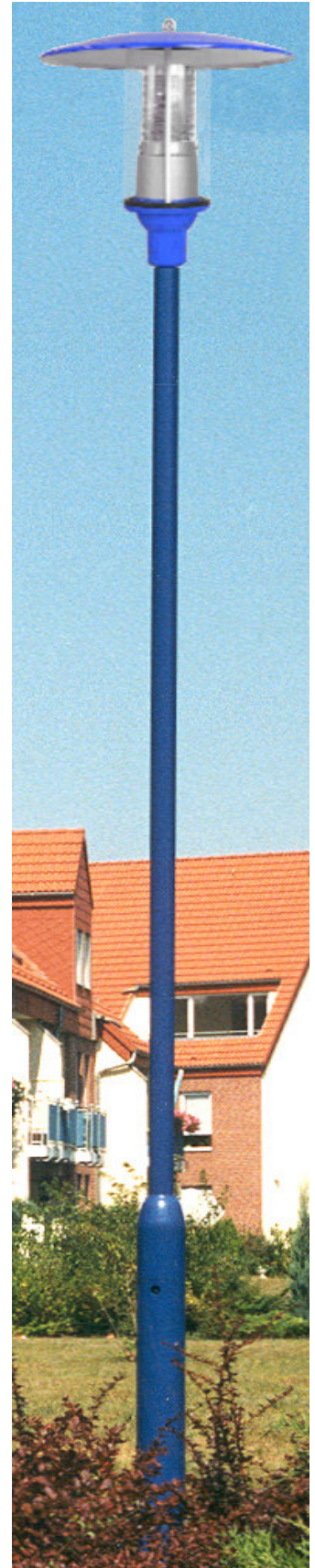
Decorative luminaire TML-341



Decorative top luminaire for the illumination of the road space for parks and green spaces.

This particularly simple form allows a variety of applications. For light control and glare reduction the use of a Prismenrefraktors is recommended. This luminaire is suitable for mounting heights of 3.0 to 4.5 m.

The free color selection allows a wide margin of discretion for a variety of applications.





Decorative luminaire TML-341

Technical Specifications

Application areas:

Fixed illumination from:

- Residential and shopping streets
- Parks and green areas
- Representative areas
- Pedestrian areas
- Promenades
- Parking and marketplaces

Lightspot height:

3,0 bis 4,5 m

Luminaire housing:

- Aluminium sheet / Al-casting powder coated or painted
- RAL color of your choice
- Roof-part removable without tools
- On request glare reduction by internal fins, shielding or prismatic refractor (see illustration)
- PMMA or PC (extra charge) opal or clear.

Cylinder:

PMMA or PC (extra charge) opal or clear.

Electrical installation:

- LED
- HSE 50 - 70 W
- HIE
- Protection class: I
- protection category: IP 44

For installation as a top luminaire on steel masts and booms (spigot Ø 60/76 mm).

All connecting elements made of stainless steel.



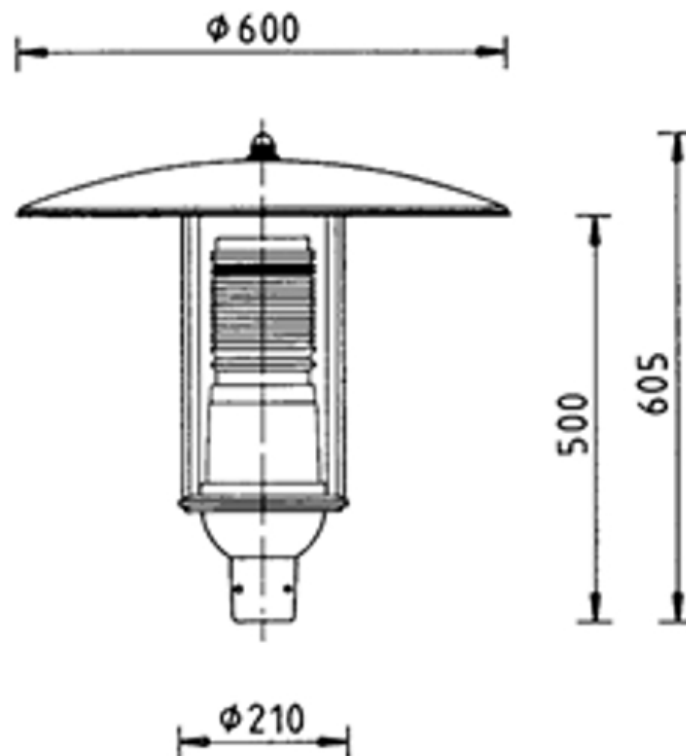
Friedhelm TRAPP GmbH

Ostring 15 - 63533 Mainhausen - Zentrale: 06182/9294-5 - Fax: 06182/9294-69 - Mail: trapp@f-trapp.de

www.f-trapp.de

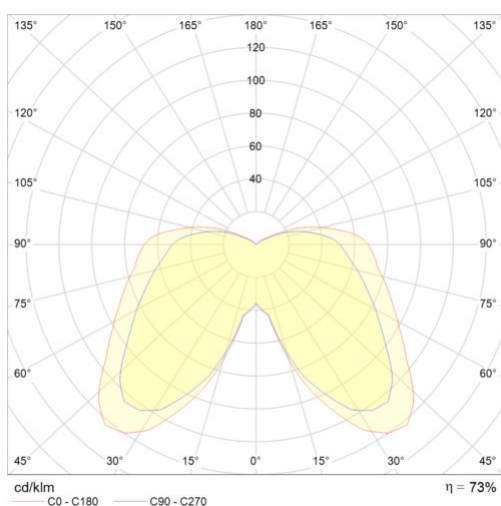
Decorative luminaire TML-341

Diameters

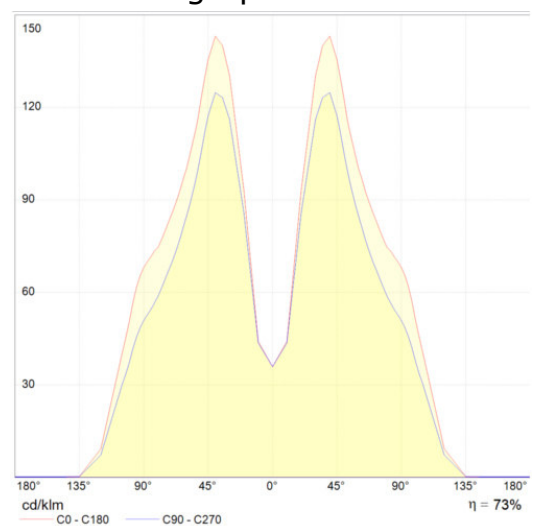


Photometric data

Polar graph:



Cartesian graph:



Light source: HSE 50 W

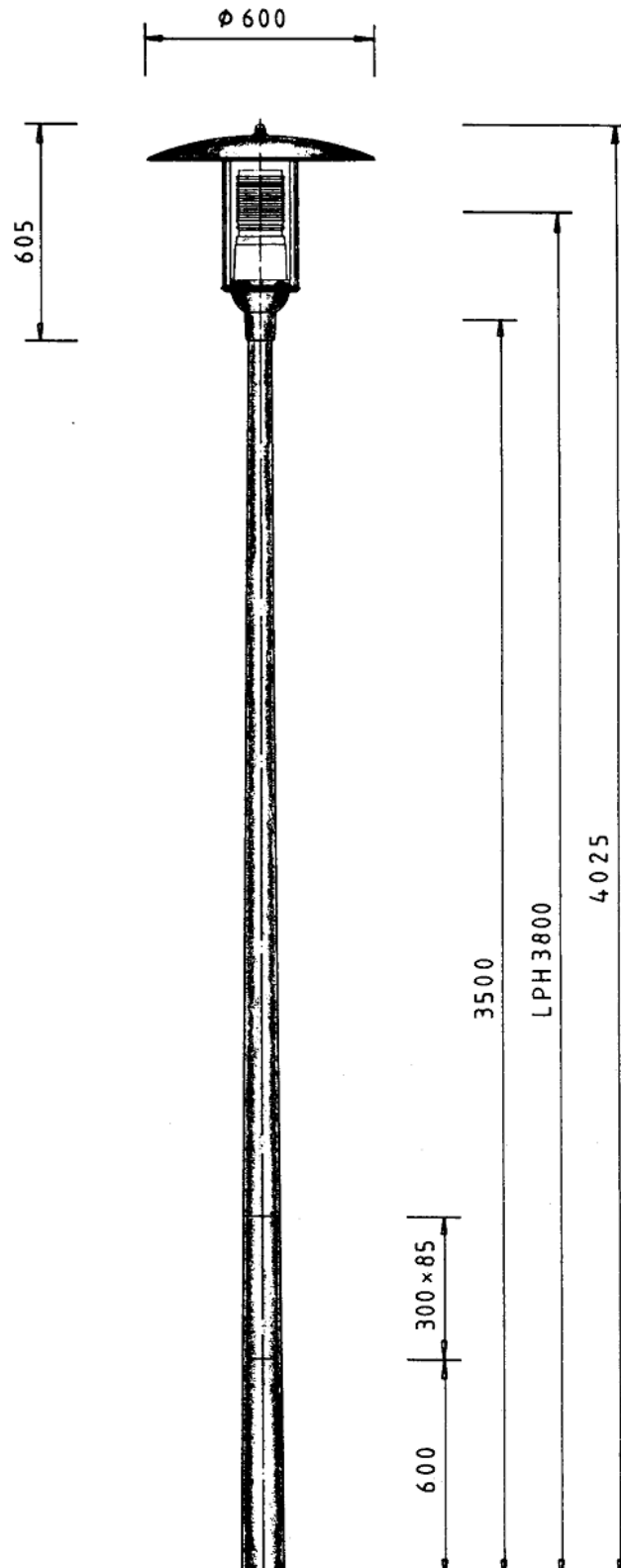


Friedhelm TRAPP GmbH

Ostring 15 - 63533 Mainhausen - Zentrale: 06182/9294-5 - Fax: 06182/9294-69 - Mail: trapp@f-trapp.de

www.f-trapp.de

Decorative luminaire TML-341



Luminaire: TML-341
Pole: TZM 700.35