



## TTL Sardes M4S



### Luminaire type :

LED-Top or Side mounted luminaire

### Pole height:

TTL M4S up to 10 m

### Application areas :

ME class roads and parking lots

Product specifications	TTL M4S-68
Luminous flux	7800 lm $\pm$ %10
Power consumption	68 W
Color	Neutral White
Color temperature*	4000 K, Different color temperature optional
color rendering	CRI > 70
System efficiency	115 lm/W
Beam Angle	Asymmetrical
Optical system	PMMA Lenses optics
System life	>100.000 h at 25°
Operating temperature	-40° - +50°C
Enclosure rating, Protection class	IP66, Protection class I
Dimmable	Optional Auto dimming, PLC or HNS (half-night switching)

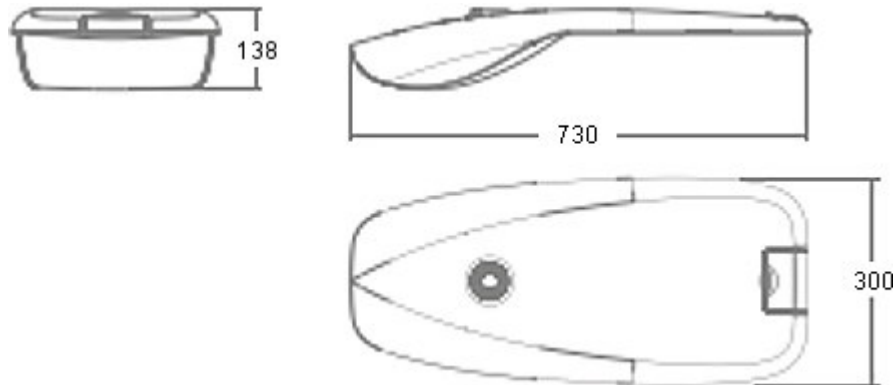
Electrical characteristics	
Mains voltage / frequency	220 ~ 240VAC / 50 ~ 60Hz
Mode of operation	Constant Current
Power factor	PF > 0,9
Maintenance factor	0,89
Certifications	ENEC 10, VDE Pending

Mechanical characteristics	
Dimensions (LxWxH)	637 x 374.3 x 85.4mm
Housing / Surface	Diecast aluminum / powder coating
Impact resistance (IK)	IK08, 4mm safety glass
Weight	9,5 kg



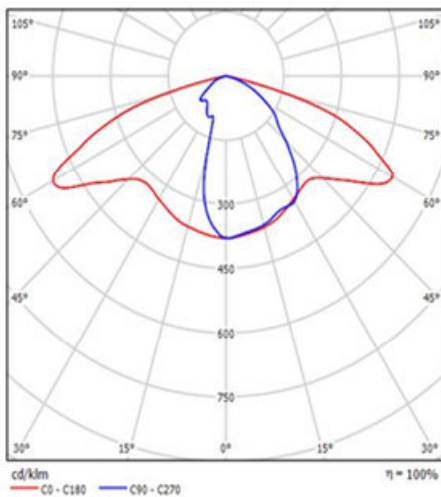
## TTL Sardes M4S

### Dimensions



### LPhotometric data

#### Light distribution V1 - Standard



**Es stehen unterschiedliche optische Module für die Straßenleuchten zur Verfügung, um die optimale Lichtverteilung zu gewährleisten. Anbei typische Straßenoptiken. Andere Optiken für erweiterte Anforderungen möglich!**

#### Light distribution V2

#### Light distribution V3

#### Light distribution V4

#### Light distribution V5

