

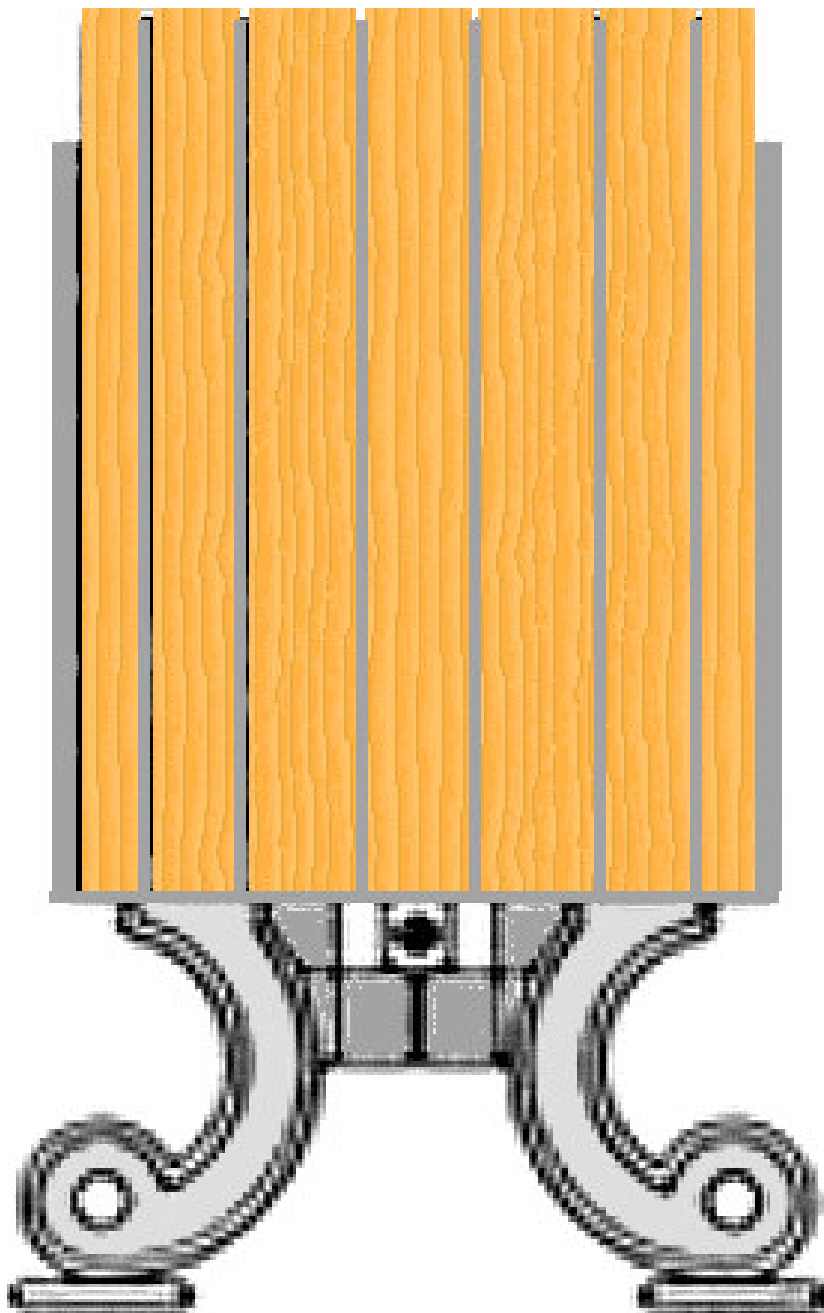


# Friedhelm TRAPP GmbH

Ostring 15 - 63533 Mainhausen - Zentrale: 06182/9294-5 - Fax: 06182/9294-69 - Mail: trapp@f-trapp.de

[www.f-trapp.de](http://www.f-trapp.de)

## Waste bin TAB-922 Marienberg

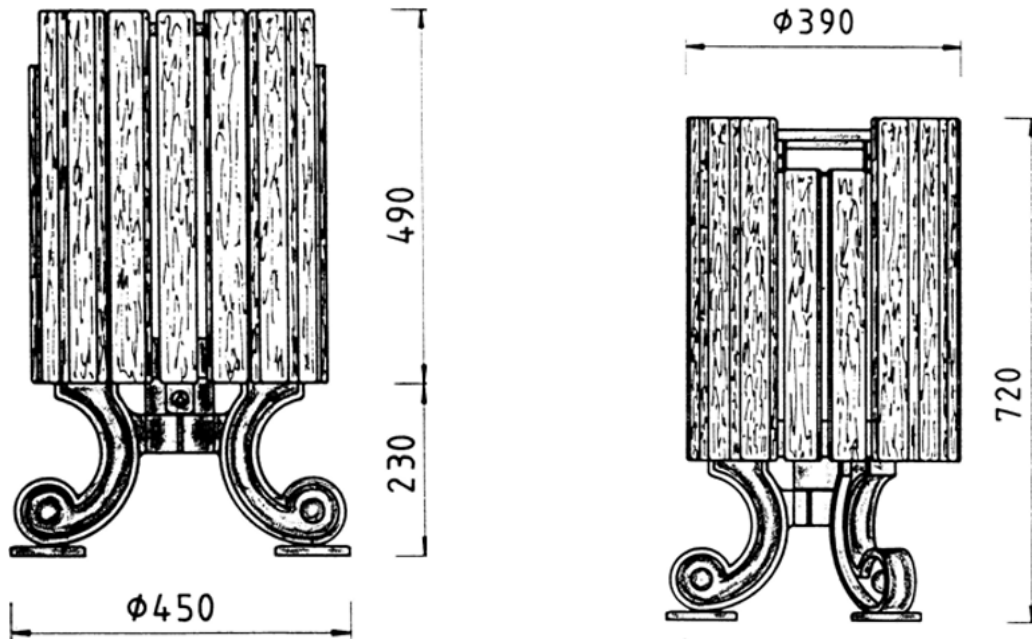


Waste bin TAB-922 „Marienberg“



## Waste bin TAB-922 Marienberg

### Technical description



#### **Material:**

Main post:	Cast iron GG25
Main post:	Cast iron GG25 hot dip galvanized
Container:	Steel sheet and steel wire mesh, hot dip galvanized, removable
Battens:	European woods

#### **Coating:**

Metal components:	2 or 3 times lacquered, top coat RAL color of your choice
Wooden components:	Wood protection primer and thick layer coating

**Connecting elements:** Screws galvanized

**Container capacity:** approx. 33 liters with triangular locking mechanism

**Weight :** ca. 32 Kg



# Friedhelm TRAPP GmbH

Ostring 15 - 63533 Mainhausen - Zentrale: 06182/9294-5 - Fax: 06182/9294-69 - Mail: trapp@f-trapp.de

[www.f-trapp.de](http://www.f-trapp.de)

## Waste bin TAB-922 Marienberg

### Examples

