



# Friedhelm TRAPP GmbH

Ostring 15 - 63533 Mainhausen - Zentrale: 06182/9294-5 - Fax: 06182/9294-69 - Mail: trapp@f-trapp.de

[www.f-trapp.de](http://www.f-trapp.de)

## Candelabra THK-645 „Kempen“



Historical Candelabra THK-645 on candelabra base THK-645-A

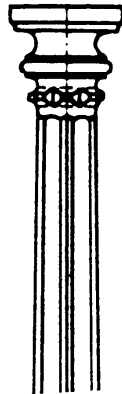
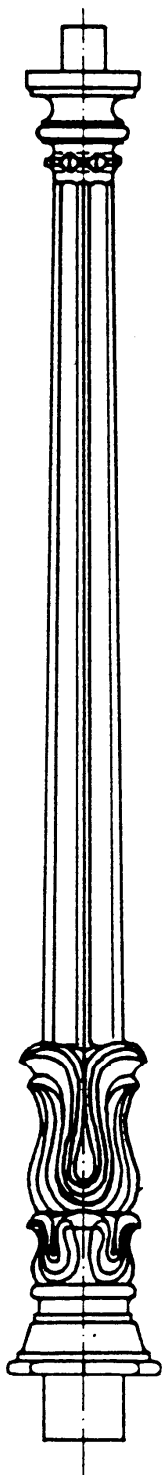


# Friedhelm TRAPP GmbH

Ostring 15 - 63533 Mainhausen - Zentrale: 06182/9294-5 - Fax: 06182/9294-69 - Mail: trapp@f-trapp.de

[www.f-trapp.de](http://www.f-trapp.de)

## Candelabra THK-645 „Kempen“



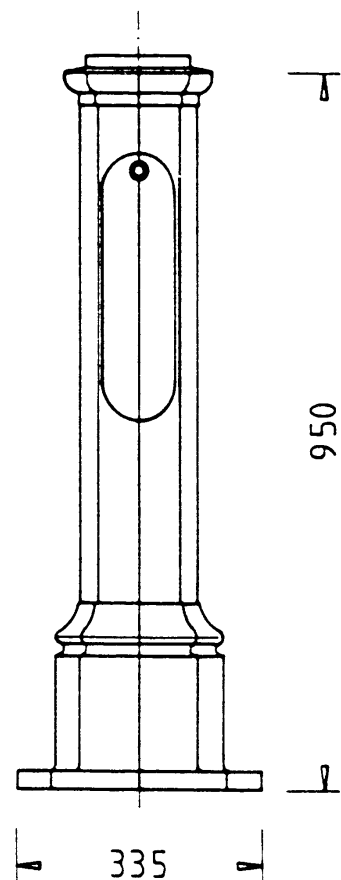
THK-645-M  
Candelabra Upper part for  
multiarmed luminaires

1730



THK-645  
Candelabra top with Spi-  
got  $\varnothing$  60 mm or flanged  
connections  
Weight: 61 kg

THK-645-A  
Candelabra base with door for  
screwing  
Weight: about 58 kg



Historical Candelabra THK-645 with system components