



Friedhelm TRAPP GmbH

Ostring 15 - 63533 Mainhausen - Zentrale: 06182/9294-5 - Fax: 06182/9294-69 - Mail: trapp@f-trapp.de

www.f-trapp.de

Historical luminaires hexagonal

THL-237 „Quedlinburg“



Hexagonal Schinkel luminaire for the illumination of historical local areas and special objects.

Such luminair combination puts every building in the right light.

The application can be carried out in conjunction with our historical iron candelabra, but also on wall brackets and in multiple combinations.



On Candelabra THK-645/645-A

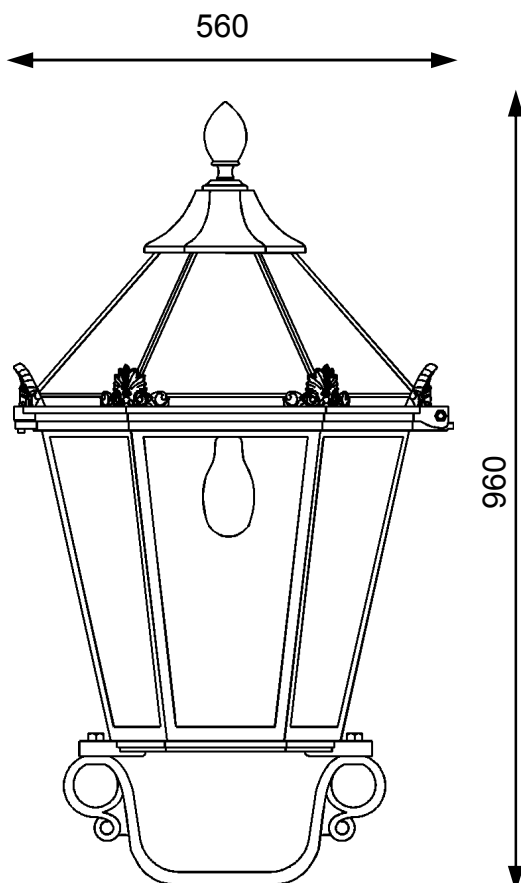


Friedhelm TRAPP GmbH

Ostring 15 - 63533 Mainhausen - Zentrale: 06182/9294-5 - Fax: 06182/9294-69 - Mail: trapp@f-trapp.de

www.f-trapp.de

Historical luminaires hexagonal



THL-237 „Quedlinburg“

Technical specifications

Luminaire housing:	Aluminiumcasting and aluminumsheet
Fitting roof:	Aluminum casting, painted
Reflector:	Aluminium, white powder coated
Fastening elements:	V2A
Glass:	PMMA or PC, clear or opal structured
Varnishing:	RAL color of your choice
Installation:	LED, 1xE26 ES, 2xE26 ES, TCD, HSE, HIE, all electric parts with VDE mark, illumination elements top mounted
Protection category:	IP 54
Protection class:	SK I, SK II available on request
Bow luminaires:	Plaitbow, \varnothing 64 mm, optional flange bow possible